



Model shown without gauge or relief valve which are attached on standard motor mounted units.

**Model 2080 Series**

26 inHg max. vacuum  
25 CFM open flow  
15 psi max. pressure

**Model 2080 Dual Function**

Ideal for graphic arts applications where simultaneous vacuum and pressure are needed.  
9 psi max. pressure (@ 18 inHg)  
15 CFM open flow (pressure side)

**Model 3080 Series**

26 inHg max. vacuum  
35 CFM open flow  
15 psi max. pressure

**Model 3080 Dual Function**

Ideal for graphic arts applications where simultaneous vacuum and pressure are needed.  
9 psi max. pressure (@ 18 inHg)  
21 CFM open flow (pressure side)

**Model 4080 Series**

25 inHg max. vacuum  
45 CFM open flow  
15 psi max. pressure

**Model 4080 Dual Function**

Ideal for graphic arts applications where simultaneous vacuum and pressure are needed.  
9 psi max. pressure (@ 18 inHg)  
25 CFM open flow (pressure side)

**Product Features**

- Oilless operation
- Rugged construction/low maintenance
- Low noise

**Includes**

- Internal sound suppression
- Heavy duty internal filtration
- Vacuum adjustable relief valve \*AN226, metric version AN226A (Vacuum pump, dual function)
- Pressure adjustable relief valve \*AN225, metric version AN225A (Compressor, dual function)
- Vacuum gauge \*AA640 (Vacuum pump, dual function)
- Pressure gauge \*AA644B (Compressor, dual function)

\* Not included in separate drive models

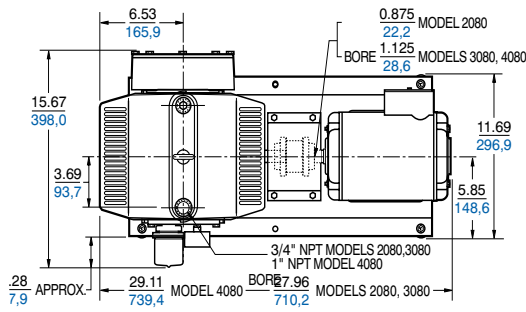
**Recommended Accessories**

- Filter/muffler kits:  
K552 (Compressor or vacuum pump)  
K547 (Dual function models)
- Complete repair kits:  
K546 (Compressor or vacuum pump)  
K551 (Dual function models)

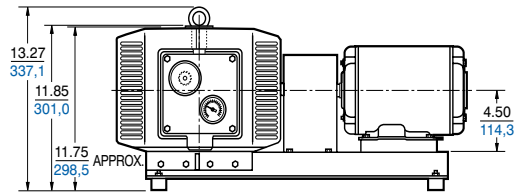
### Product Dimensions (inches, mm)

Dimensions are for reference only

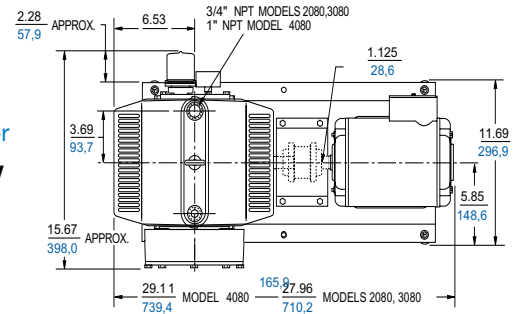
**Vacuum Pump  
Top View**



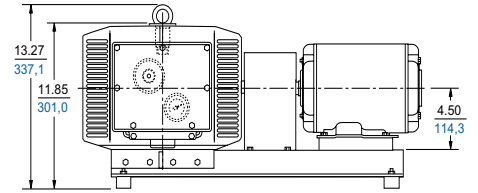
**Side View**



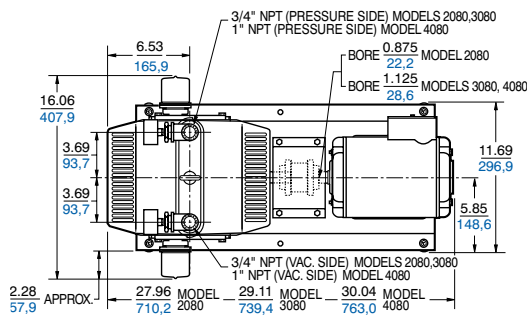
**Compressor  
Top View**



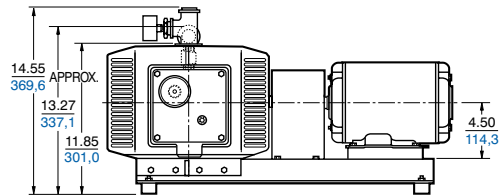
**Side View**



**Dual Function  
Top View**



**Side View**



### Product Specifications

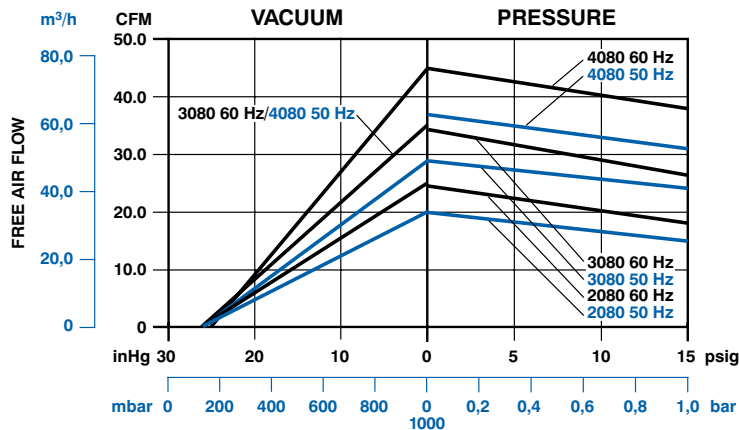
**Note:** "P" models are pressure, "V" models are vacuum, "D" models are dual function.

Model Number	Motor*	RPM		HP	kW	Net Weight	
		60 cycle	50 cycle			lbs	kg
2080-V102	Not included	1725	1425	2	1,5	91	41,0
2080-V128-T337	230/460-60-3	1725	—	2	1,5	125	56,3
2080-D129-T337	230/460-60-3	1725	1425	2	1,5	132	59,4
3080-P101	Not included	1725	1425	3	2,2	92	41,4
3080-P127-T338	208-230/460-60-3	1725	—	3	2,2	126	56,7
3080-V102	Not included	1725	1425	2	1,5	92	41,4
3080-V128-T337	230/460-60-3	1725	—	2	1,5	126	56,7
3080-D103	Not included	1725	1425	3	2,2	87	39,2
3080-D129-T338	208-230/460-60-3	1725	—	3	2,2	133	59,9
4080-P101	Not included	1725	1425	5	3,7	93	41,9
4080-P127-T339	208-230/460-60-3	1725	—	5	3,7	127	57,2
4080-V102	Not included	1725	1425	3	2,2	93	41,9
4080-V128-T338	208-230/460-60-3	1725	—	3	2,2	127	57,2
4080-D103	Not included	1725	1425	5	3,7	88	39,6
4080-D129-T339	208-230/460-60-3	1725	—	5	3,7	135	60,8

\*Gast recommends magnetic starter for electric motor, consult electrician for correct size.

### Product Performance

Single Function



Dual Function

